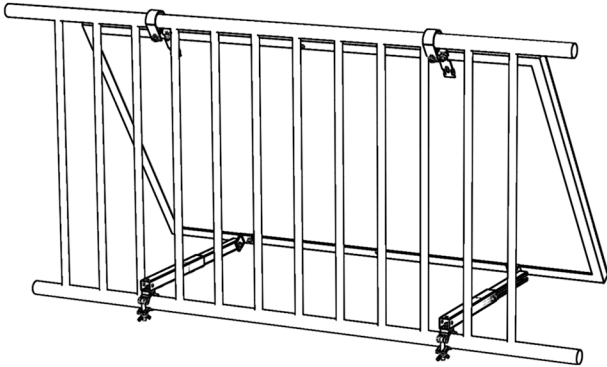


# Adjustable Balcony Bracket

Installation manual



Dongguan Xinchu Technology Co., LTD.

Adjustable Balcony Bracket

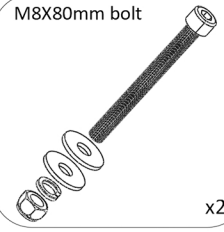
## Components List:

M8X25mm bolt



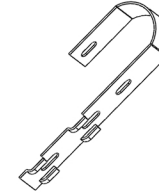
x4

M8X80mm bolt



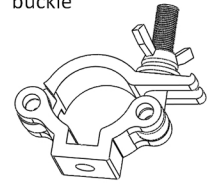
x2

hanger



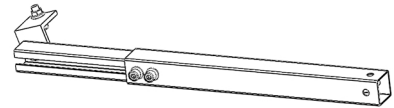
x2

buckle



x2

Adjustable supporting pole



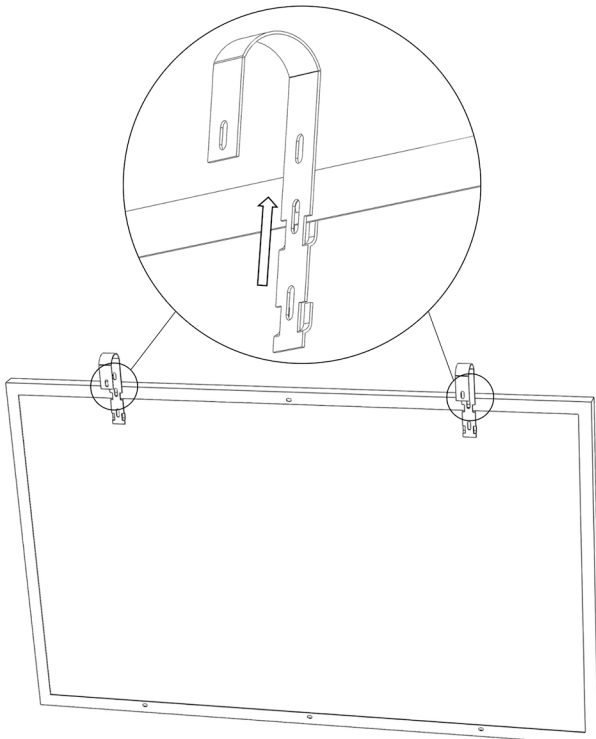
x2

**Tips: in convenient for installation. Please allocate bolts as above in advance.**

01

## Installation Steps:

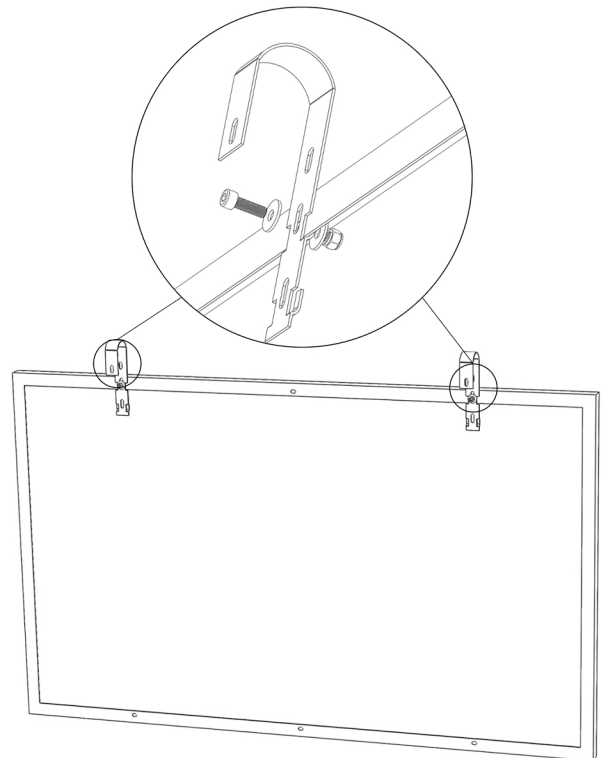
**Step1.** Install hanger on the panel frame at the site of panel installation hole.



02

## Installation Steps:

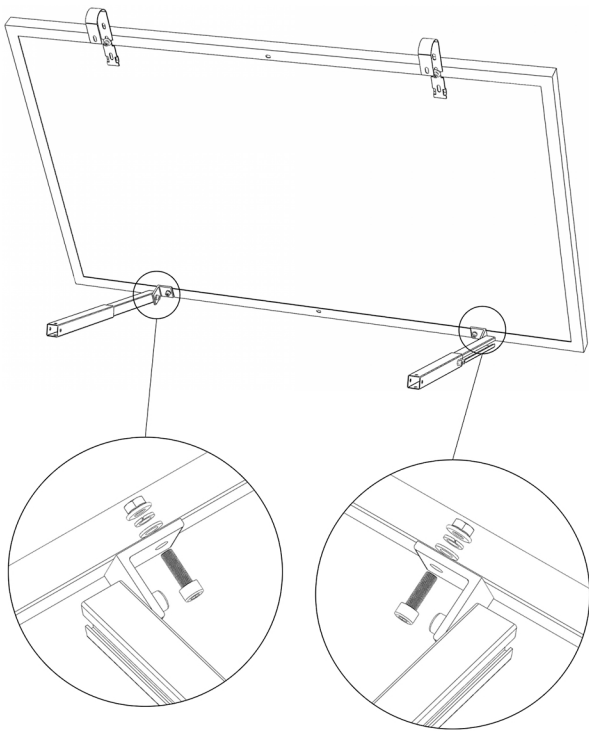
**Step2.** Fasten the panel and hanger with bolt.



03

Installation Steps: 

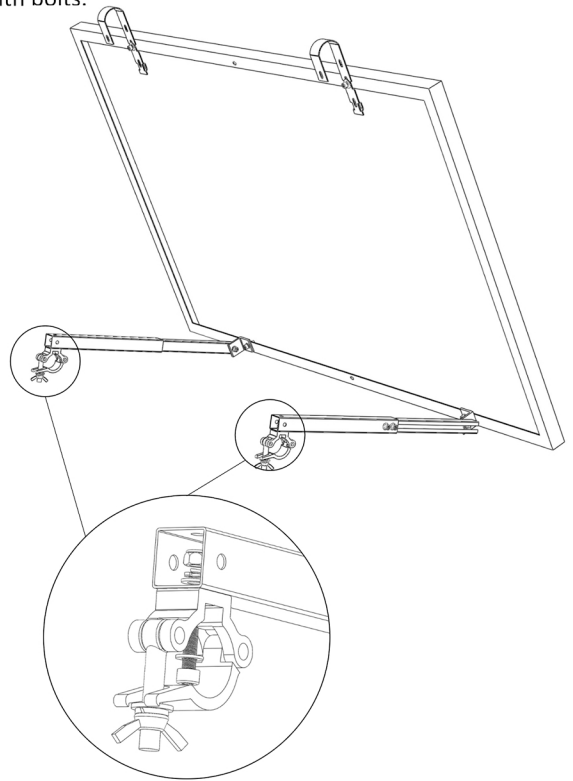
**Step3.** Fasten the angle aluminium of supporting pole and panel, Please keep parallelism between the angle aluminium and panel edge.



04

Installation Steps: 

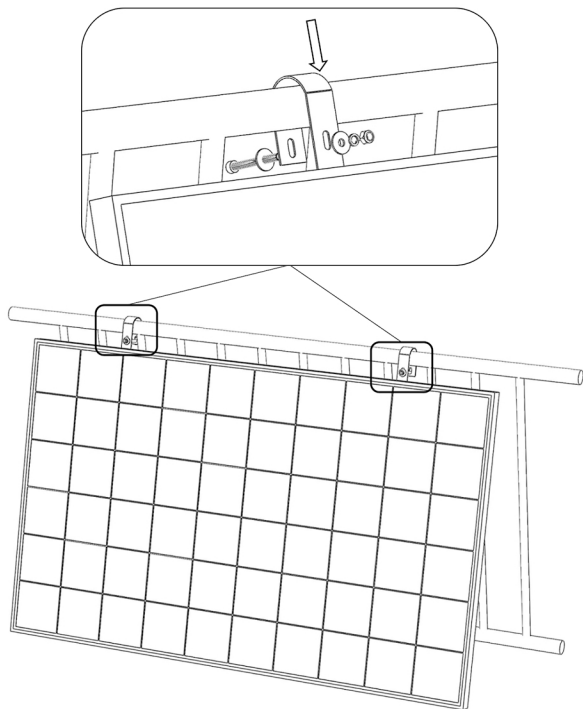
**Step4.** Install buckle on the other end of supporting pole with bolts.



05

Installation Steps: 

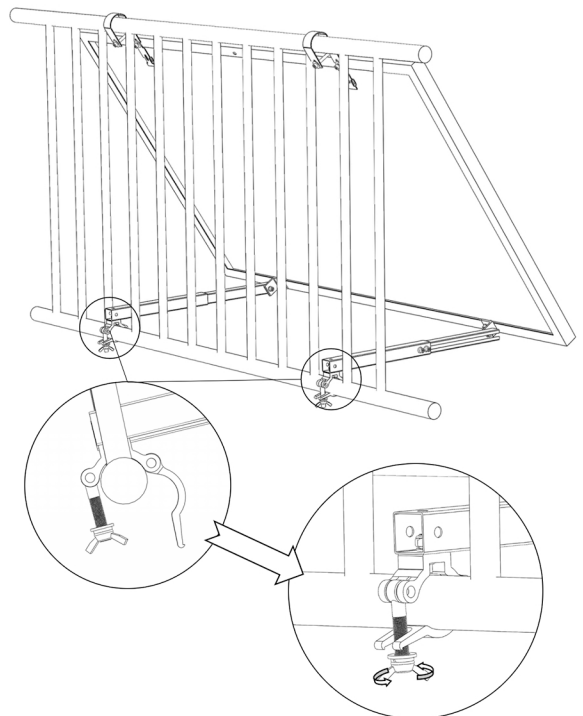
**Step5.** Hang the installed panel on the balcony handrail and then fasten with bolts. Please keep attention to safety during the process.



06

Installation Steps: 

**Step6.** Fix the buckle on the handrail and fasten it to finish the whole installation.



07